

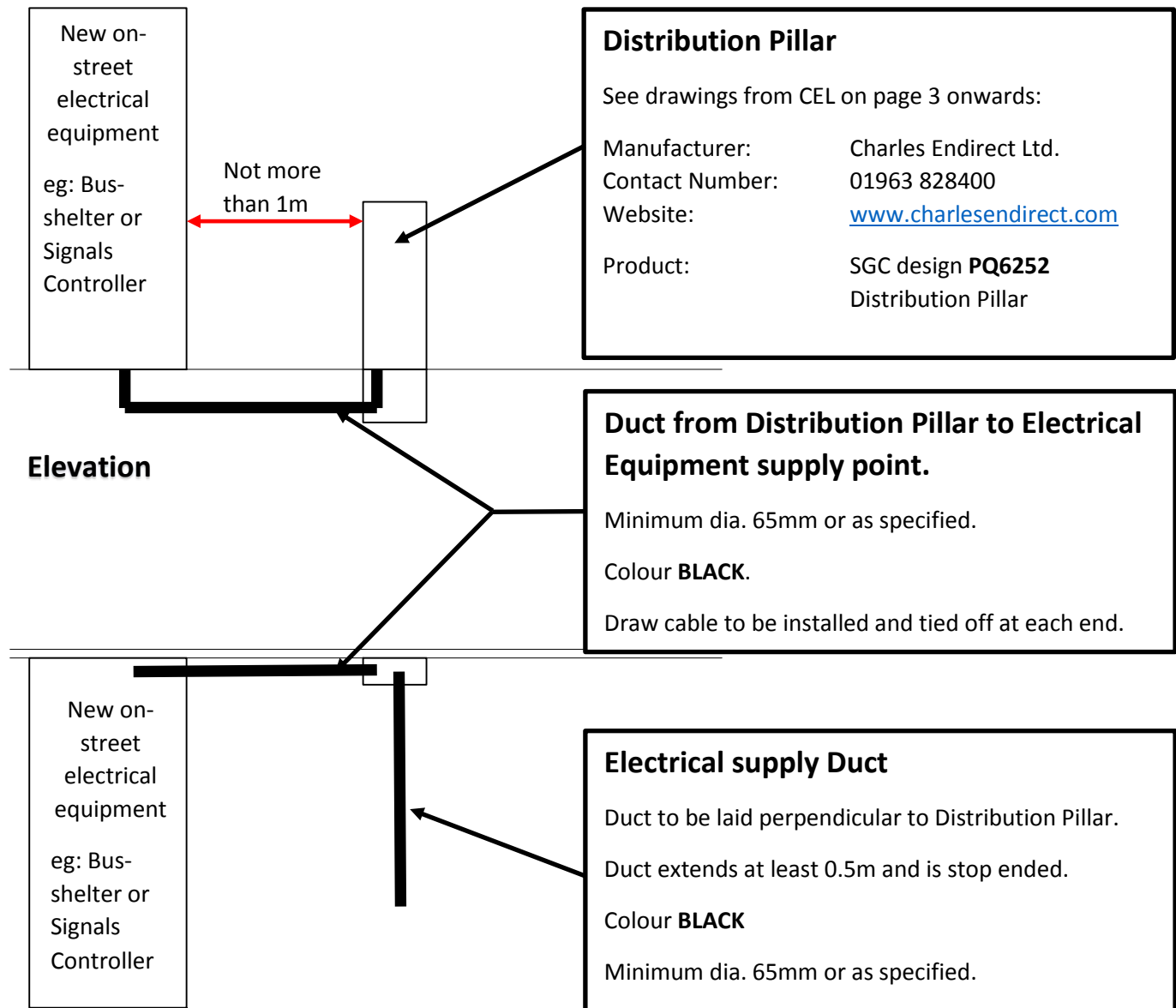
# Electrical Supply - General Arrangement for On Street Equipment

Rev7.170807

### Process for providing Electrical Supply

Protocol for a Metered Supply

- 1 Contact SGC's Electrical Engineer, (Tel.01454 865123) for Application Form and details of Fee for electrical fit out, specification, earthing arrangements and metering application details.
- 2 Procure and install **PQ6252** Distribution Pillar on site as specified in diagram and on attached drawing, including all ducting requirements.
- 3 Apply to Distribution Network for a supply and MPAN.
- 4 Advise SGC's Electrical Engineer of MPAN and projected date for installation of pillar and meter to arrange appropriate inspections.



### Distribution Pillar

See drawings from CEL on page 3 onwards:

Manufacturer:	Charles Endirect Ltd.
Contact Number:	01963 828400
Website:	<a href="http://www.charlesendirect.com">www.charlesendirect.com</a>
Product:	SGC design <b>PQ6252</b> Distribution Pillar

### Duct from Distribution Pillar to Electrical Equipment supply point.

Minimum dia. 65mm or as specified.  
Colour **BLACK**.  
Draw cable to be installed and tied off at each end.

### Electrical supply Duct

Duct to be laid perpendicular to Distribution Pillar.  
Duct extends at least 0.5m and is stop ended.  
Colour **BLACK**  
Minimum dia. 65mm or as specified.

Plan

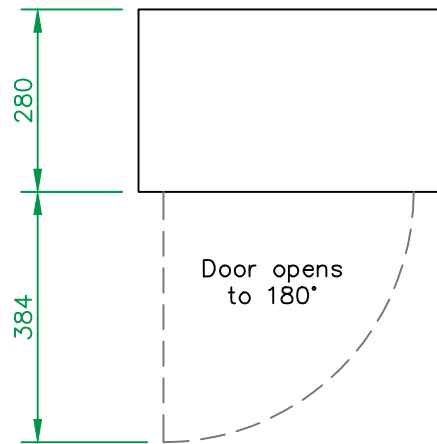
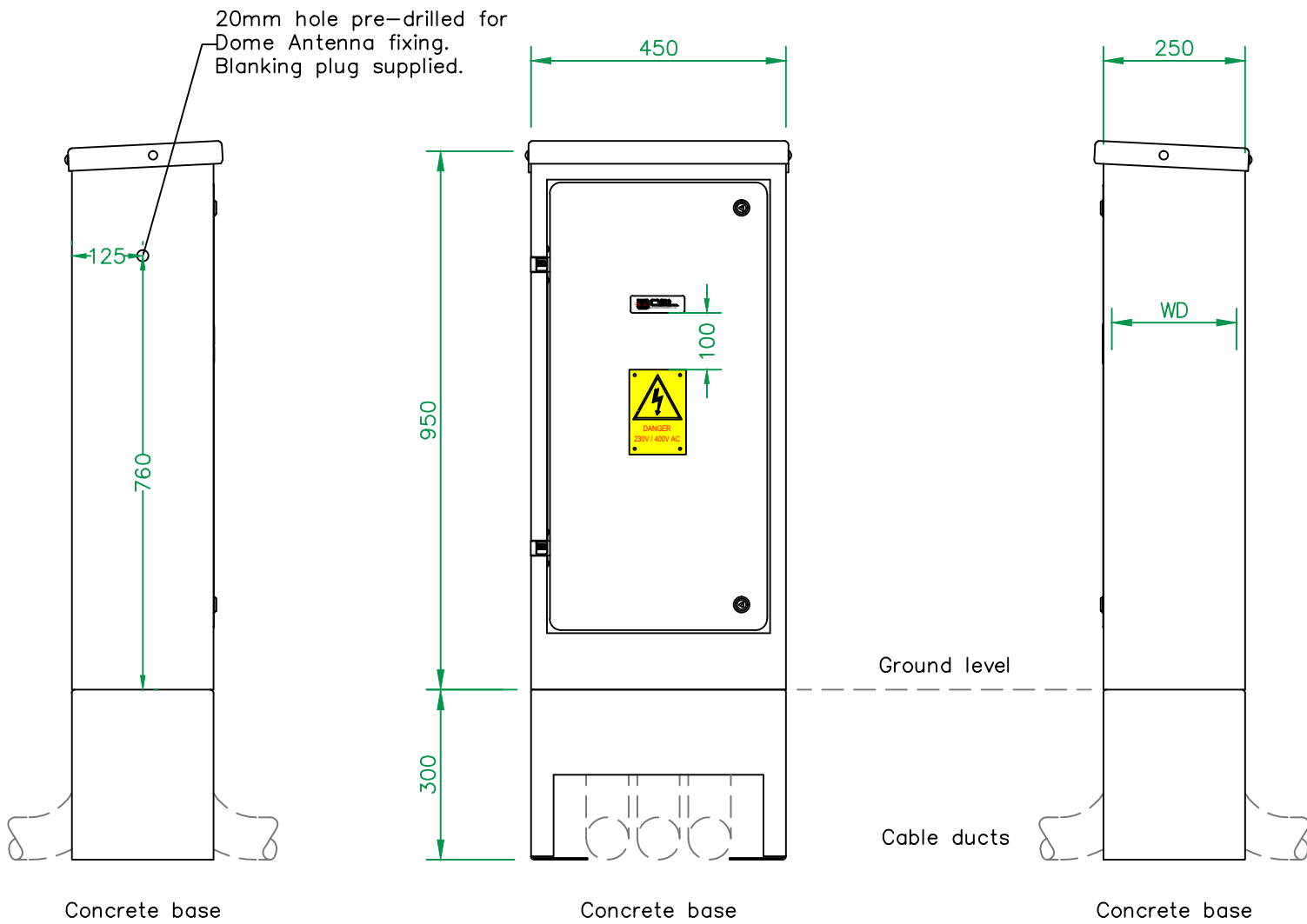
Example photographs of Installation



The supplier should be informed that the **Meter Asset** shall be purchased from the meter operator who should be nominated as EDF-CFS to ensure a smooth transition on adoption.

A **one year only** contract shall be entered into with the supplier.

The meter shall be an **AMR Meter** with dome type vandal resistant external antenna as it will be fitted in a roadside metal cabinet.



PILLAR SPECIFICATION:

Type:	BDP70 Midi Pillar
Weight:	56Kg
Working depth:	230mm
Door aperture:	W344mm x H750mm
Backboard:	12mm thick fully treated plywood
Backboard size:	W430mm x H850mm
Construction:	3mm steel
Corrosion protection:	Hot dipped galvanised BS EN ISO 1461
Doors:	Single door
Door Hinges:	Stainless steel block
Door locks:	Tri head
Door seal:	Designed to IP55
Root:	Bolt-on (detachable)
Root fixing holes:	M10
Door label:	Hazard warning to BS 5378

OPTIONS:

Textured powder coat finish black RAL9005 to pillar root and body

Notes:-

This drawing is supplied for illustration purposes only.

Charles Endirect standard BDP & CFP range of feeder pillars have a detachable root section. the smaller pillars SMP, FMP have a fixed root.

The root section is usually planted below ground and bolted to a secure concrete foundation.

The foundation size & concrete mix will need to be specified by your civil engineer with respect to the pillar size, weight, site location & ground soil conditions.

Issue	Status	Date	Approval
A 1	Proposed BUILD	17/05/16 08/06/16	ISW JD

Drawn: ISW

Dim: - mm Scale: - NTS



Wessex Way, Wincanton Business Park  
Wincanton, Somerset, BA9 9RR

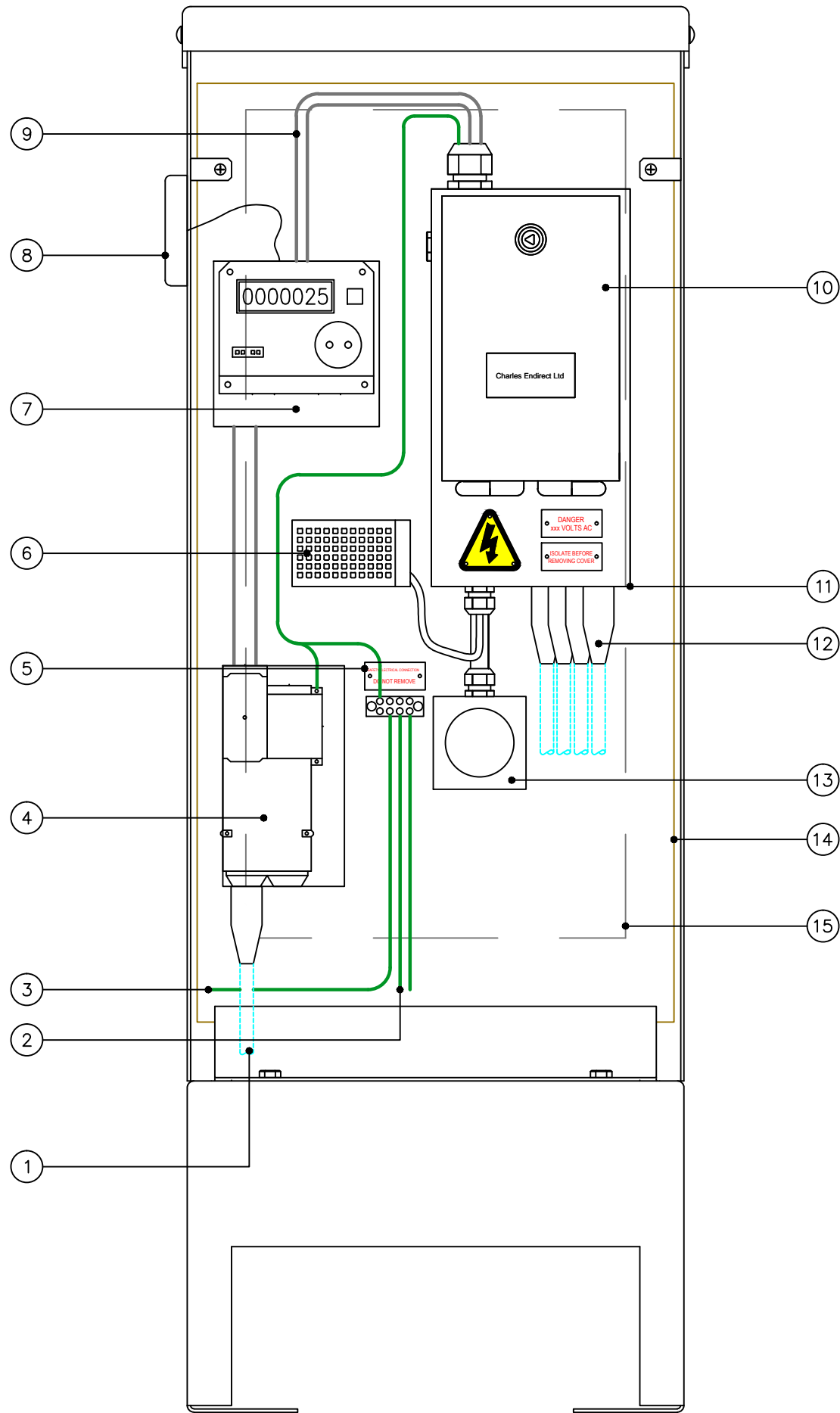
T: +44 01963 828400  
F: +44 01963 828401  
e: info@charlesendirect.com  
www.charlesendirect.com

ALL SUBJECT MATTER OF THIS DRAWING IS THE SOLE PROPERTY OF CHARLES ENDIRECT LTD. ANY REPRODUCTION IN PART OR AS A WHOLE WITHOUT THE WRITTEN PERMISSION OF CHARLES ENDIRECT LTD IS PROHIBITED.

Project:-  
SGC SINGLE PHASE FEEDER PILLAR

Title:-  
PQ6252

Drg No:-  
CAD-60-1288-01



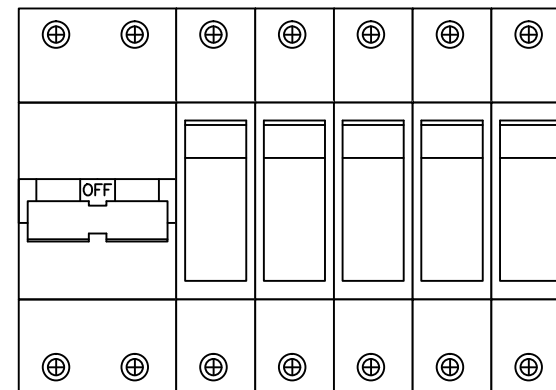
ELECTRICAL:

Incoming supply: DNO  
 Operating voltage U<sub>o</sub>: 230V AC  
 Design current I<sub>b</sub>: 100A  
 Earthing: TN-S

LEGEND:

- 01 DNO incoming cable (by others)
- 02 Earth bond to shelter and lpoint (by others)
- 03 Earth bonds to pillar body & doors
- 04 DNO cut-out SP&N =< 80A (by others)
- 05 Earth bonding terminal block  
Label electrical safety connection – do not remove
- 06 Pentagon Heater 60W
- 07 AMR Smart meter if required (by others)
- 08 Dome antenna (by others)
- 09 Pre-wired D/I tails 25mm<sup>2</sup> & CPC 16mm<sup>2</sup> by 1000mm long
- 10 CEL SSDB-08 Stainless steel distribution board fitted with....  
1 x 100A DP Isolator switch  
5 x BS88 Cartridge fuse holders =<32A
- 11 Brass gland plate – supplied with 4 x CW20 Glands
- 12 Outgoing cables =<10mm x 3C SWA
- 13 Tamperproof thermostat set to 5°C
- 14 12mm fully treated plywood backboard
- 15 Door aperture.

DEVICE LOCATIONS



BS88 Fuse carriers = <32A

Main switch 100A DP

Notes: –  
 Internal view.

Drawn: ISW  
 Dim: mm Scale: NTS

**CEL**  
 Charles Endirect Ltd

Wessex Way, Wincanton Business Park  
 Wincanton, Somerset, BA9 9RR

T: +44 01963 828400  
 F: +44 01963 828401  
 e: info@charlesendirect.com  
 www.charlesendirect.com

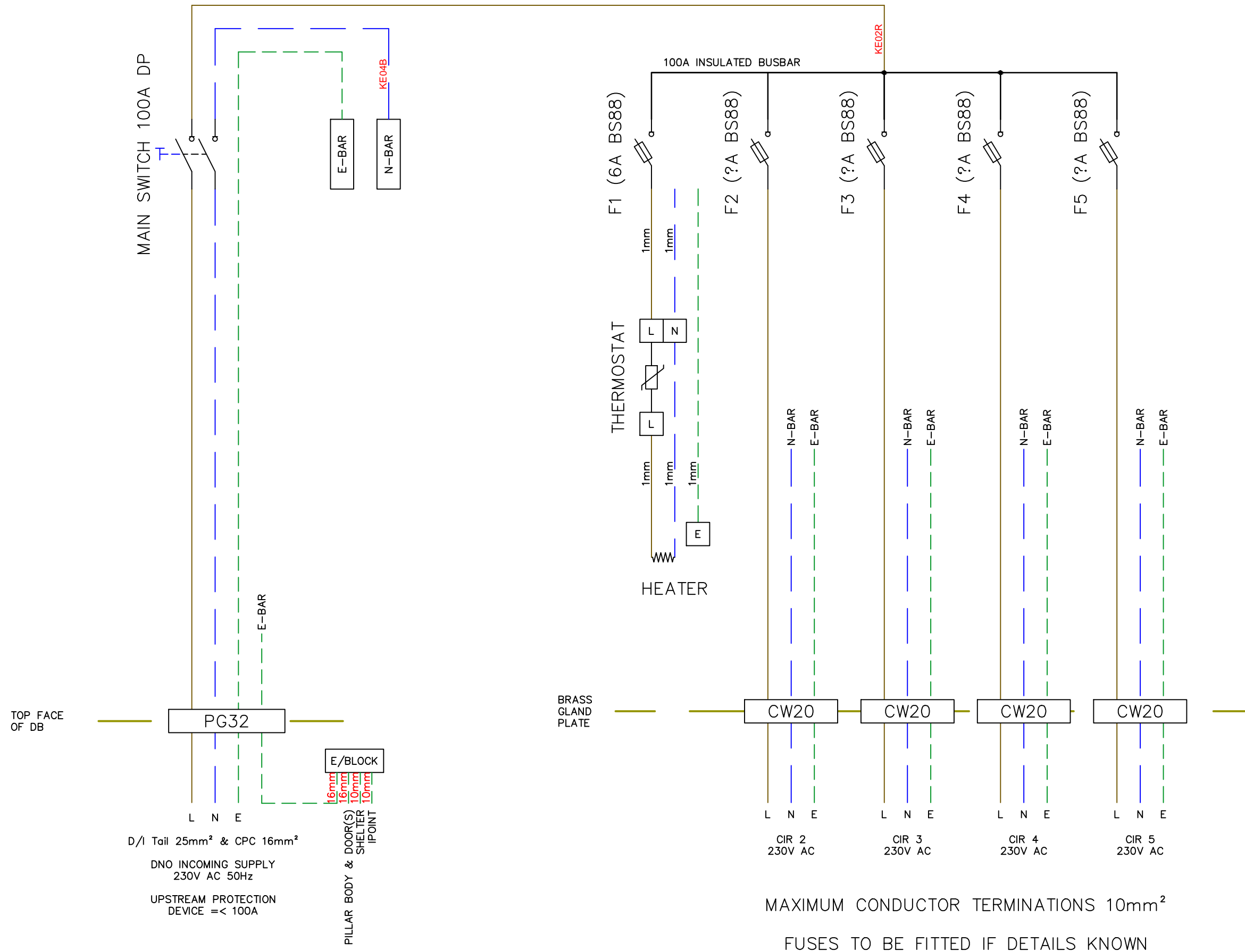
ALL SUBJECT MATTER OF THIS DRAWING IS THE SOLE PROPERTY OF CHARLES ENDIRECT LTD. ANY REPRODUCTION IN PART OR AS A WHOLE WITHOUT THE WRITTEN PERMISSION OF CHARLES ENDIRECT LTD IS PROHIBITED.

Project: –  
 SGC SINGLE PHASE FEEDER PILLAR

Title: –  
 PQ6252

Drg No: –  
 CAD-60-1288-01

Sheet 2 of 3 A3



- Notes: -
1. Wiring and assembly to comply with the requirements for electrical installations BS 7671:2008.
  2. Internal panel wires to be tri-rated & fitted with bootlace crimps unless otherwise indicated.
  3. Pillar body and door(s) to be earth bonded to the main earth block in 16mm sq earth conductors unless otherwise indicated.
  4. All pre-wired equipment to be inspected and tested to BS EN 60439-1.
  5. All pre-wired equipment to be supplied with a printed document pack containing product information, a part type test certificate and assembly drawing.

Drawn: ISW  
 Dim: - mm Scale: NTS

**JCEL**  
 Charles Endirect Ltd

Wessex Way, Wincanton Business Park  
 Wincanton, Somerset, BA9 9RR

T: +44 01963 828400  
 F: +44 01963 828401  
 e: info@charlesendirect.com  
 www.charlesendirect.com

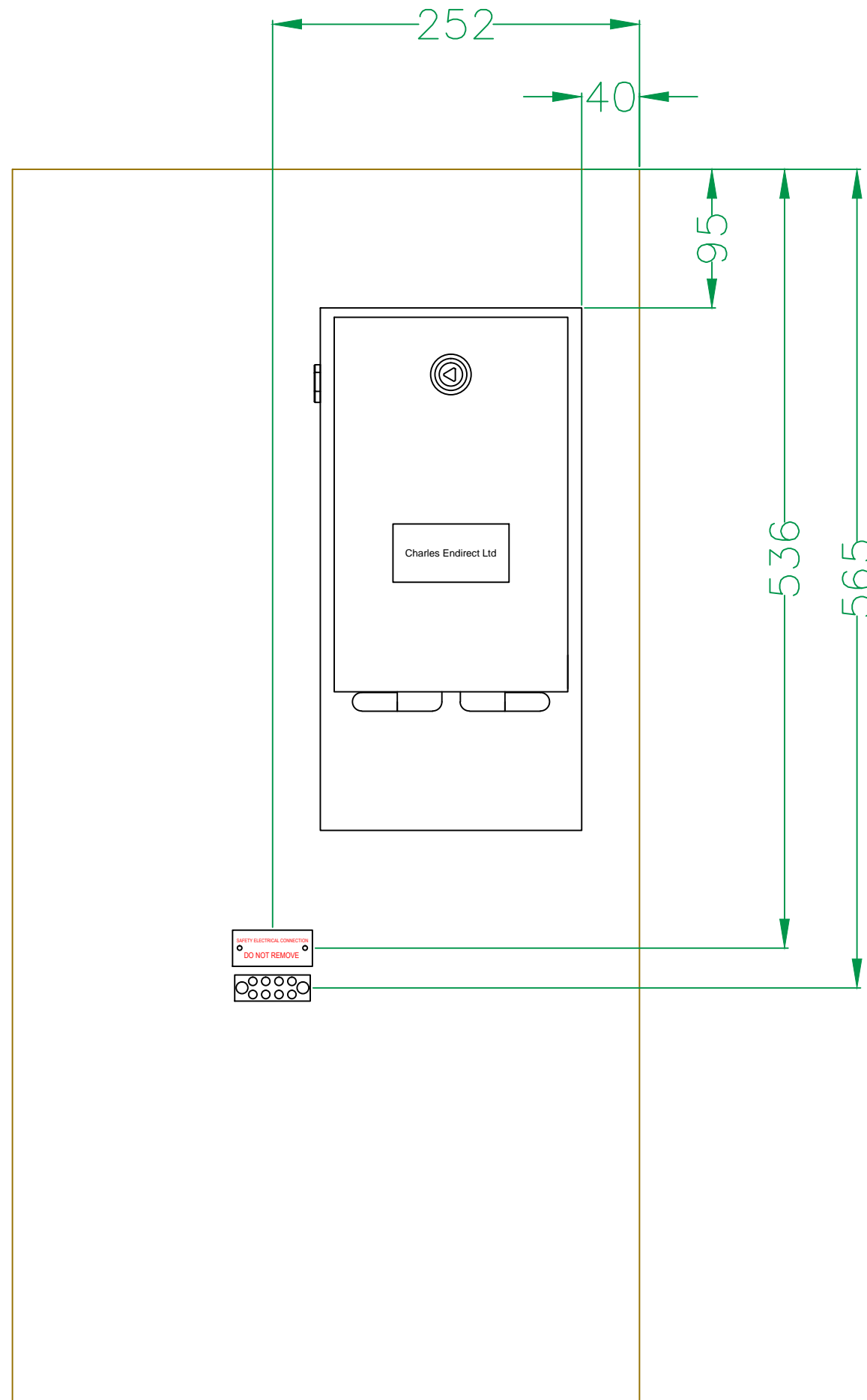
ALL SUBJECT MATTER OF THIS DRAWING IS THE SOLE PROPERTY OF CHARLES ENDIRECT LTD. ANY REPRODUCTION IN PART OR AS A WHOLE WITHOUT THE WRITTEN PERMISSION OF CHARLES ENDIRECT LTD IS PROHIBITED.

Project: -  
 SGC SINGLE PHASE FEEDER PILLAR

Title: -  
 PQ6252

Org No: -  
 CAD-60-1288-01

MAXIMUM CONDUCTOR TERMINATIONS 10mm<sup>2</sup>  
 FUSES TO BE FITTED IF DETAILS KNOWN



Notes: -

- 1. ASSY .

Drawn: ISW

Dim: - mm

Scale: NTS



Wessex Way, Wincanton Business Park  
Wincanton, Somerset, BA9 9RR

T: +44 01963 828400  
F: +44 01963 828401  
e: info@charlesendirect.com  
www.charlesendirect.com

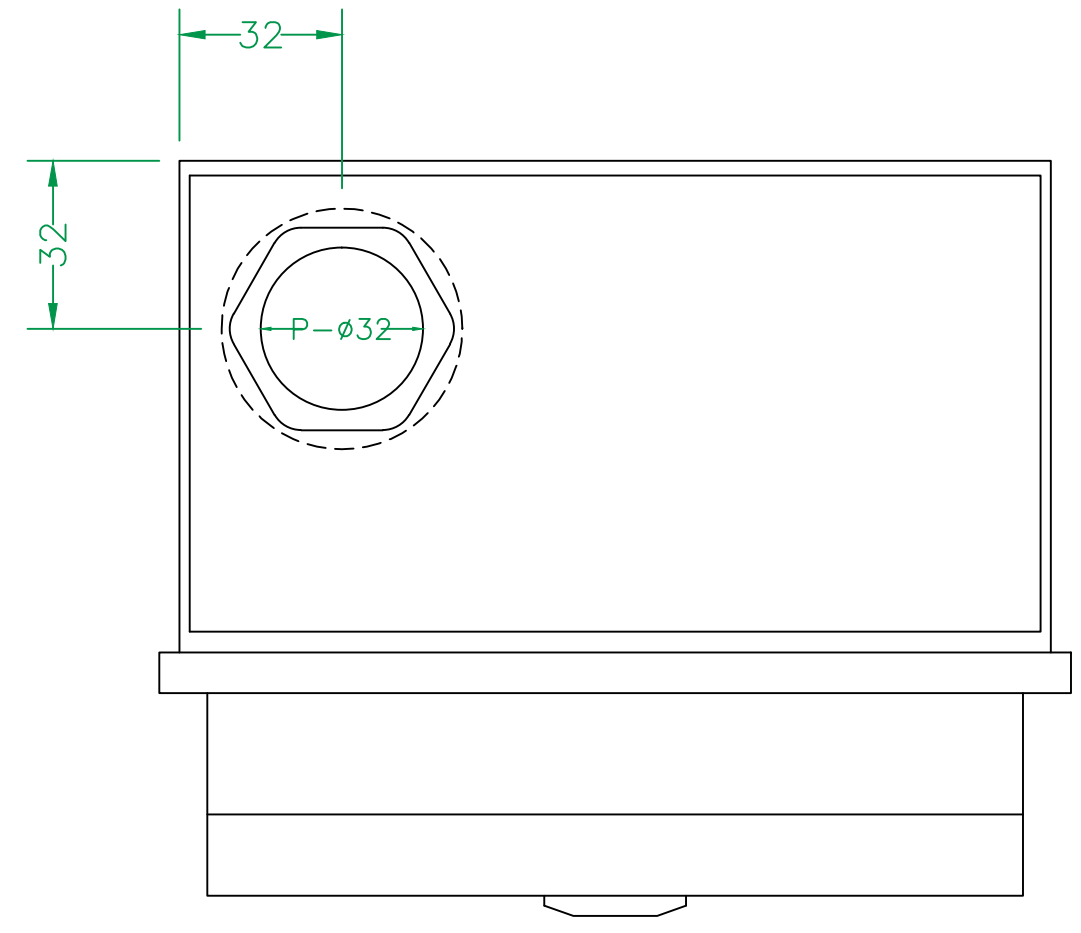
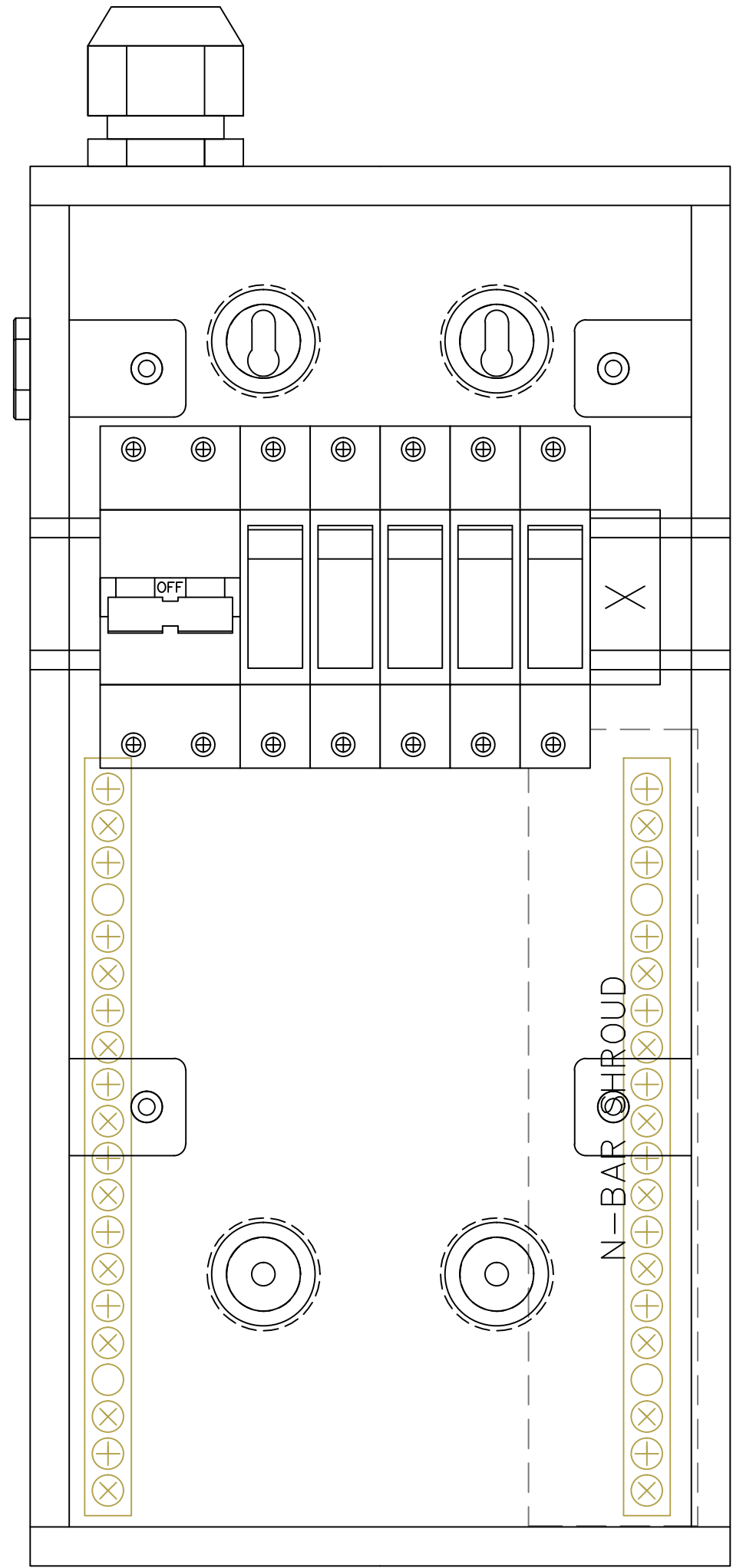
ALL SUBJECT MATTER OF THIS DRAWING IS THE SOLE PROPERTY OF CHARLES ENDIRECT LTD. ANY REPRODUCTION IN PART OR AS A WHOLE WITHOUT THE WRITTEN PERMISSION OF CHARLES ENDIRECT LTD IS PROHIBITED.

Project: -  
SGC SINGLE PHASE FEEDER  
PILLAR

Title: -  
PQ6252

Drg No: -  
CAD-60-1288-01

Sheet A1 of A3 A3



Notes: -  
ASSY

Drawn: ISW

Dim: - mm Scale: NTS



Wessex Way, Wincanton Business Park  
Wincanton, Somerset, BA9 9RR

T: +44 01963 828400  
F: +44 01963 828401  
e: info@charlesendirect.com  
www.charlesendirect.com

ALL SUBJECT MATTER OF THIS DRAWING IS THE SOLE PROPERTY OF CHARLES ENDIRECT LTD. ANY REPRODUCTION IN PART OR AS A WHOLE WITHOUT THE WRITTEN PERMISSION OF CHARLES ENDIRECT LTD IS PROHIBITED.

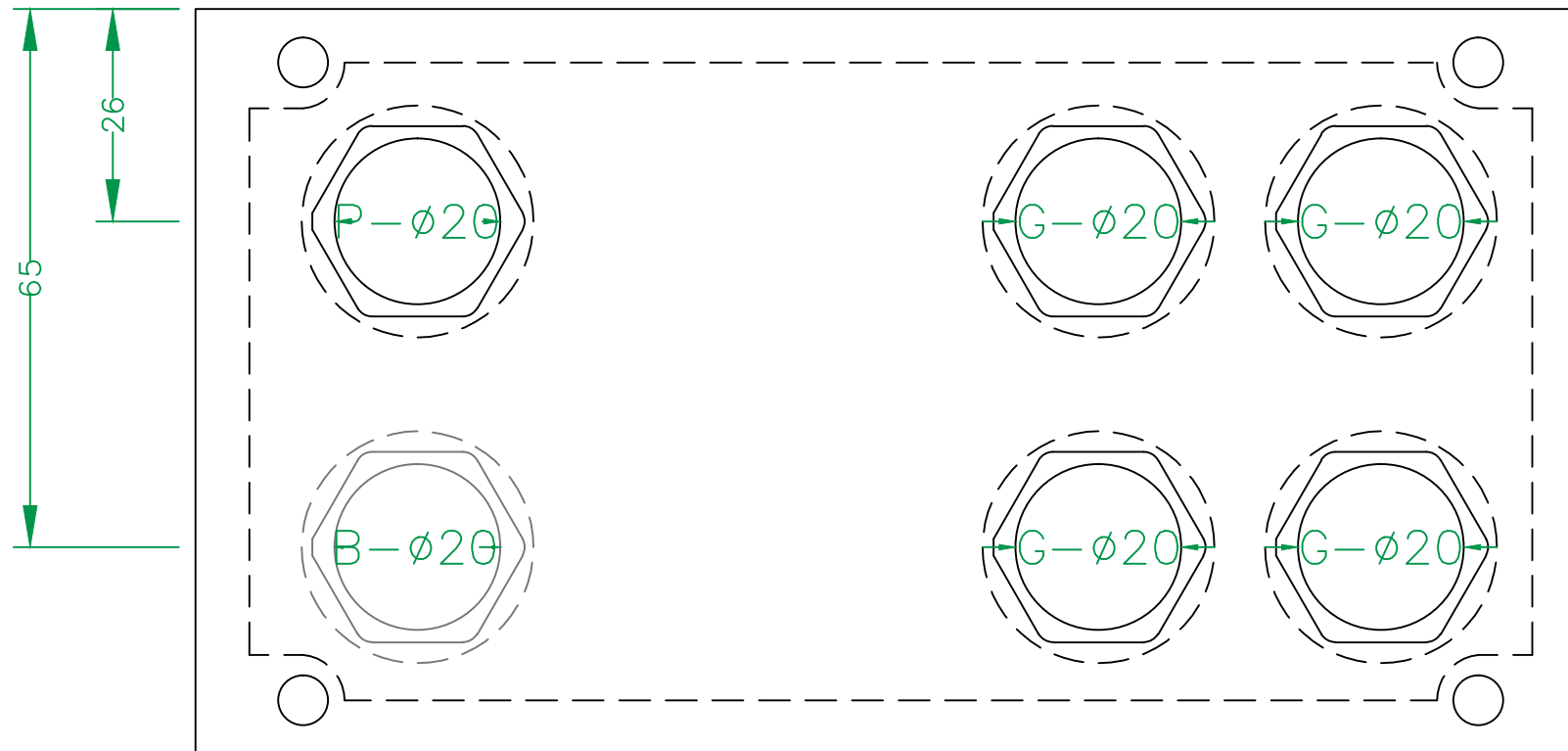
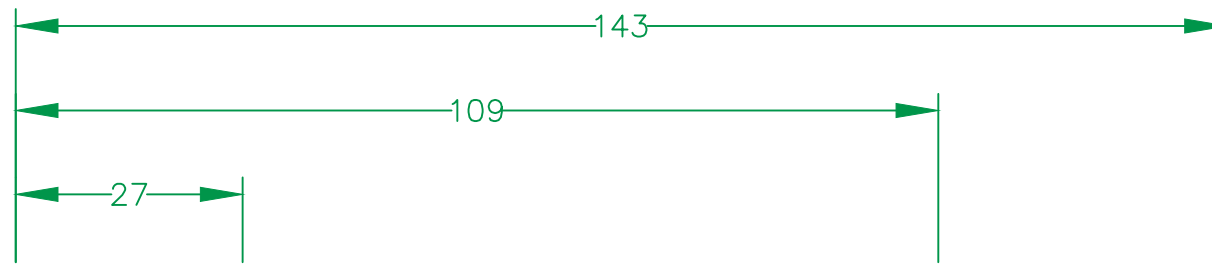
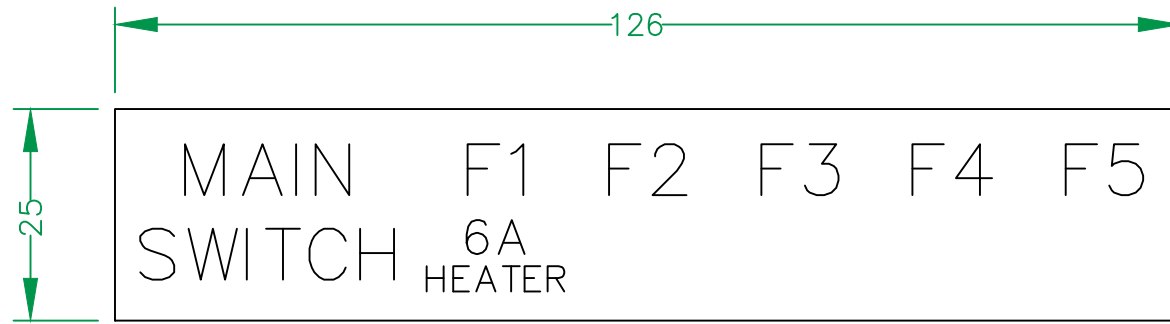
Project: -  
SGC SINGLE PHASE FEEDER  
PILLAR

Title: -  
PQ6252

Drg No: -  
CAD-60-1288-01

Sheet A2 of A3 A3

Printed label:  
 Black text on white background  
 Font Arial, 4mm and 3mm



CEL fabricated gland plate from 2mm brass sheet

- P = Plastic stuffing gland
- G = Brass compression cable gland
- B = Plastic blank or conduit fitting

Notes: -

ASSY

Drawn: ISW

Dim: - mm

Scale: NTS



Wessex Way, Wincanton Business Park  
 Wincanton, Somerset, BA9 9RR

T: +44 01963 828400  
 F: +44 01963 828401  
 e: info@charlesendirect.com  
 www.charlesendirect.com

ALL SUBJECT MATTER OF THIS DRAWING IS THE SOLE PROPERTY OF CHARLES ENDIRECT LTD. ANY REPRODUCTION IN PART OR AS A WHOLE WITHOUT THE WRITTEN PERMISSION OF CHARLES ENDIRECT LTD IS PROHIBITED.

Project: -  
 SGC SINGLE PHASE FEEDER PILLAR

Title: -  
 PQ6252

Drg No: -  
 CAD-60-1288-01

Sheet A2 of A3 A3